



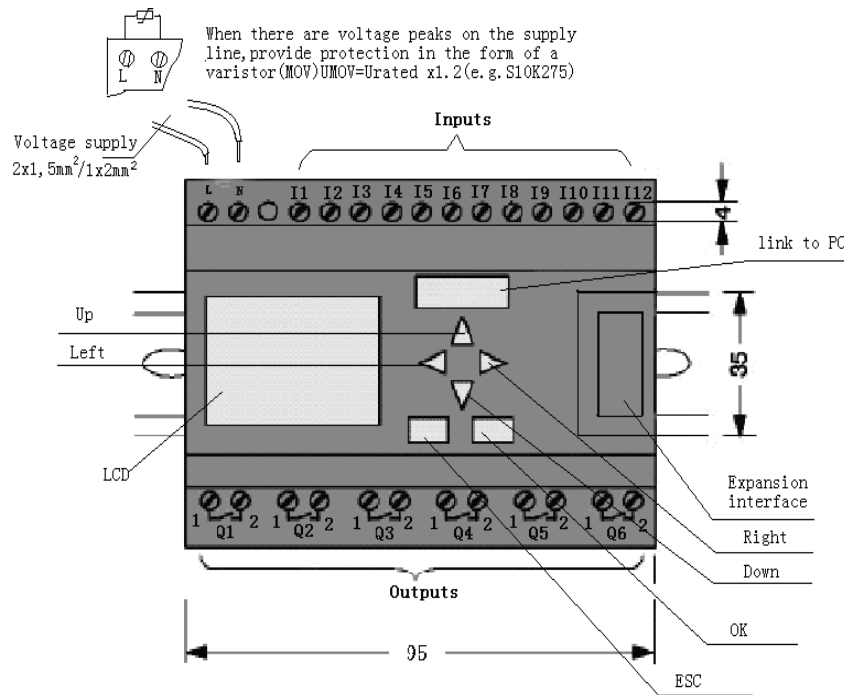
Installing and connecting

Easy Electronic Co., www.xlogic-relay.nl

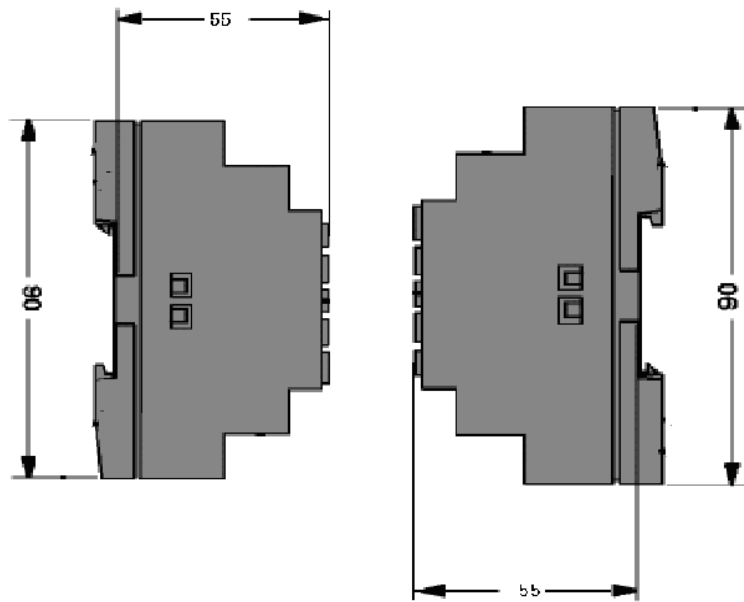
Model:

ELC-18AC-R/E	ELC-12AC-R	ELC-18DC-D-R/E,
ELC-12DC-D-R	ELC-18DC-DA-R/E	ELC-12DC-DA-R
ELC-18DC-D-TN(PNP)	ELC-18DC-D-TN-E(PNP)	ELC-12DC-D-TN(PNP)
ELC-18DC-DA-TN(PNP)	ELC-18DC-DA-TN-E(PNP)	ELC-12DC-DA-TN(PNP)
ELC-18DC-D-TP(NPN)	ELC-18DC-D-TP-E(NPN)	ELC-12DC-D-TP(NPN)
ELC-18DC-DA-TP(NPN)	ELC-18DC-DA-TP-E(NPN)	ELC-12DC-DA-TP(NPN)

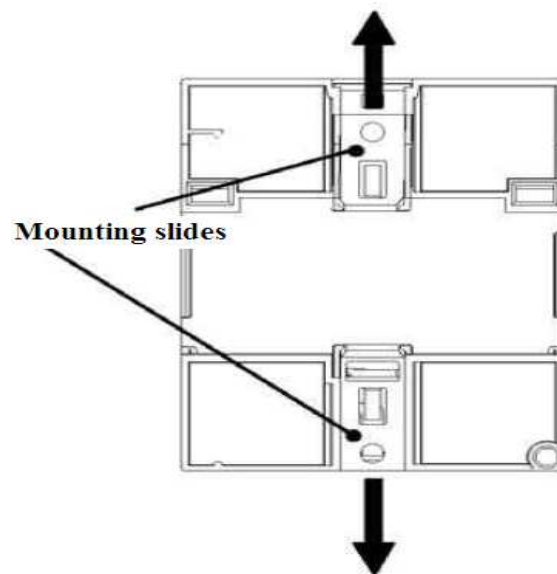
product information



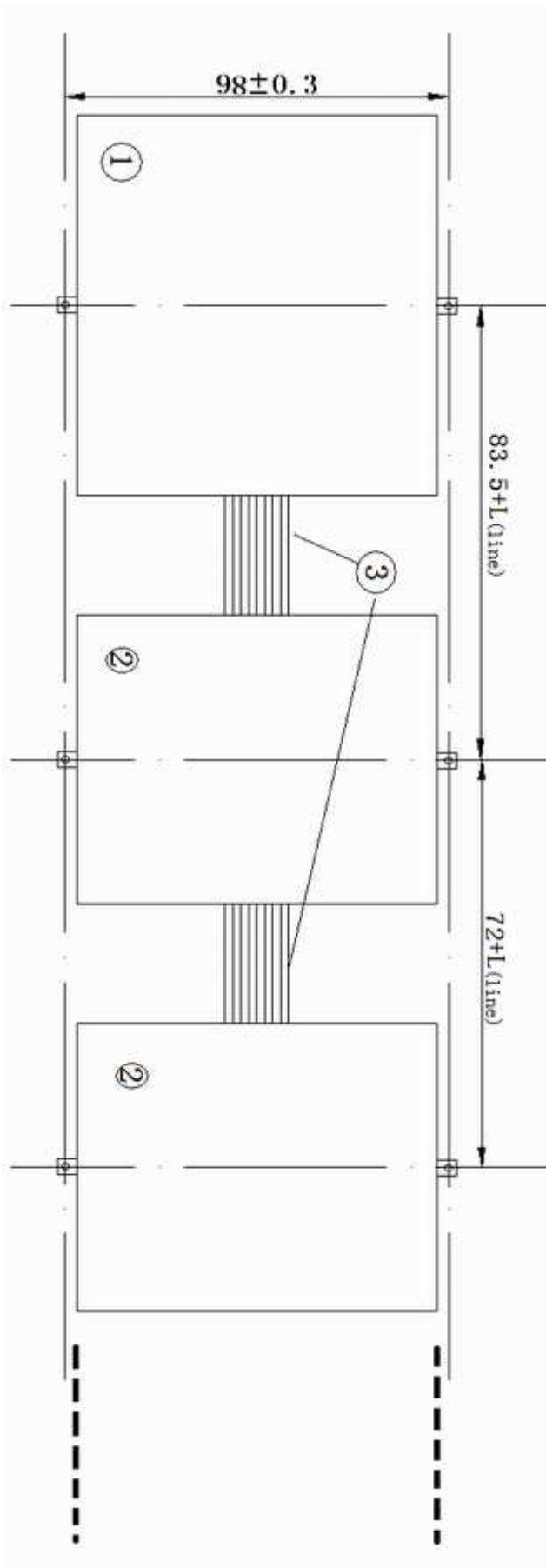
(Front view)



(Side views)



Mounting slides are shifted at the back side of the device before a wall mounting. Shift both outside.



All measures in mm

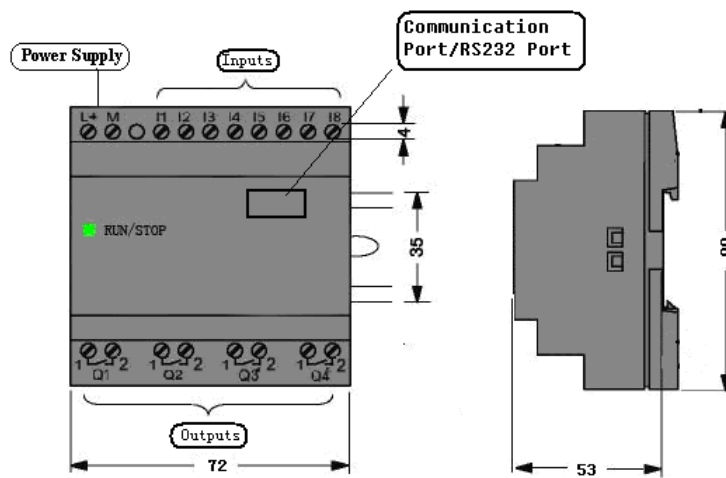
○ Hole for screw $\varnothing 4\text{mm}$

Tightening torque 0.8...1.2Nm

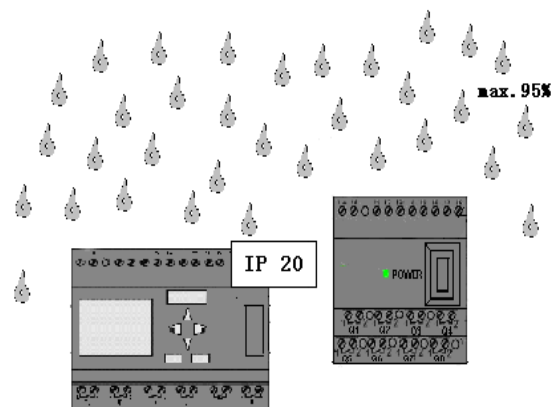
○,1 ELC-18 CPU

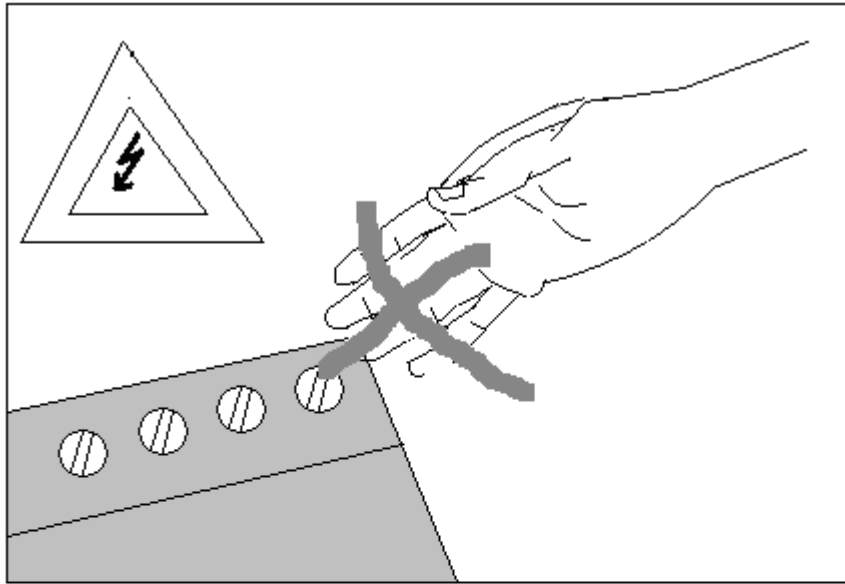
○,2 xLogic expansion modules (ELC-16AC-R.....ELC-SMS-D-R)

○,3 Flat Cable, THE “L (line)” =the length of the flat Cable.

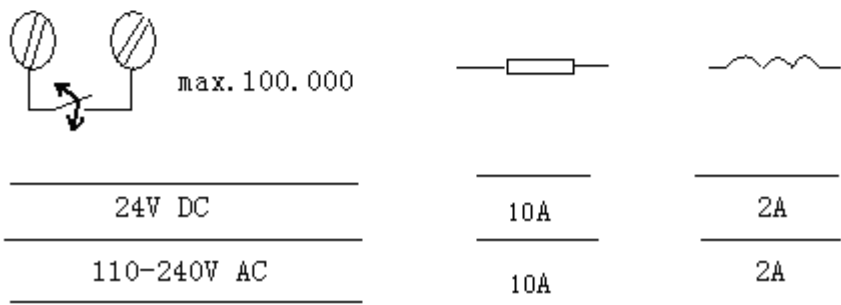


ELC-12 Series Main Module





all ELC.. R...



Warning:

Hazardous voltage can cause electrical shock and burns. Disconnect power before proceeding with any work on this equipment. You will find further information in the xLogic user manual.



Warning:

Explosion hazard – Do not disconnect equipment unless power has been removed or the area is known to be non-hazardous.



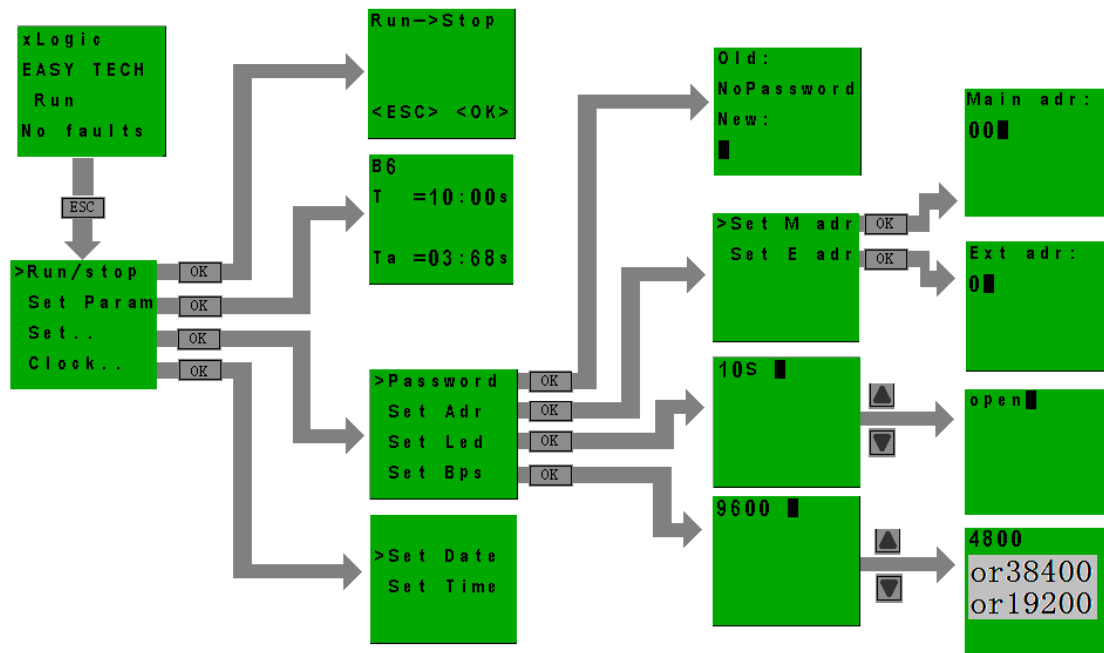
Warning:

Explosion hazard –Do not replace any component unless power has been switched off or the area is known to be non-hazardous.

Suppressor Circuit with Alternating Current

For voltage peaks on the supply line you can install a metal-oxide varistor (MOV). Note that the working voltage of the varistor is at least 20% greater than the rated voltage (e.g.S10K275).

After a power failure, the logical input level may drop to zero voltage before xLogic is able to save the functions to retentive memory. In this case, xLogic saves the function values determined during the zero state at its inputs to retentive memory.



NOTE: Installing and connecting of ELC-12 Modules are the same to that of ELC-18 Modules.

ELC-18AC-R(-E) & ELC-12AC-R

ELC-18 Modules and ELC-12 Modules

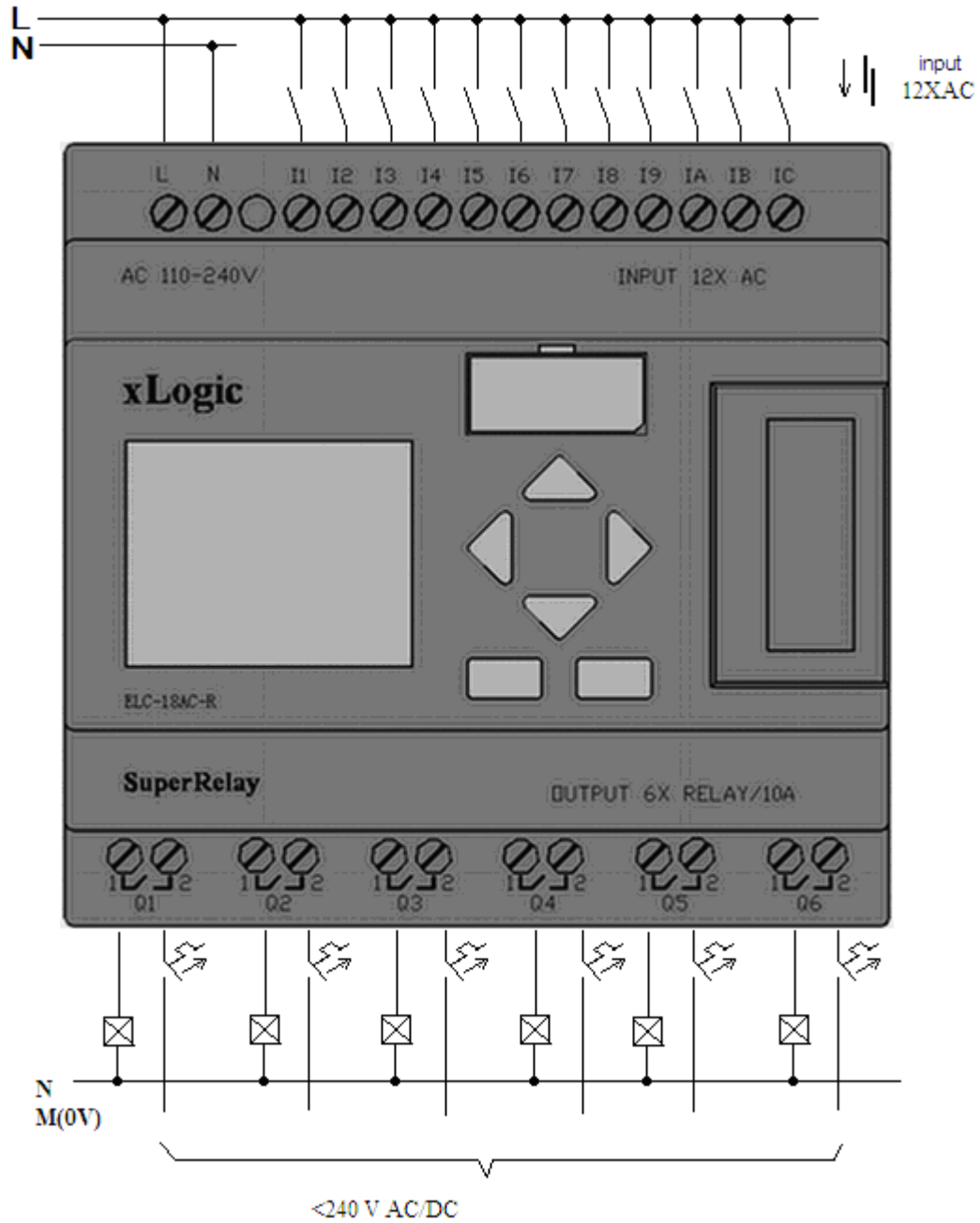
L = 110...240V AC

I110V AC = 10...30mA

I240V AC = 10...20mA

I1...I12 = 1>79V AC; 1>0.08mA

0<40V AC; 0<0.03m



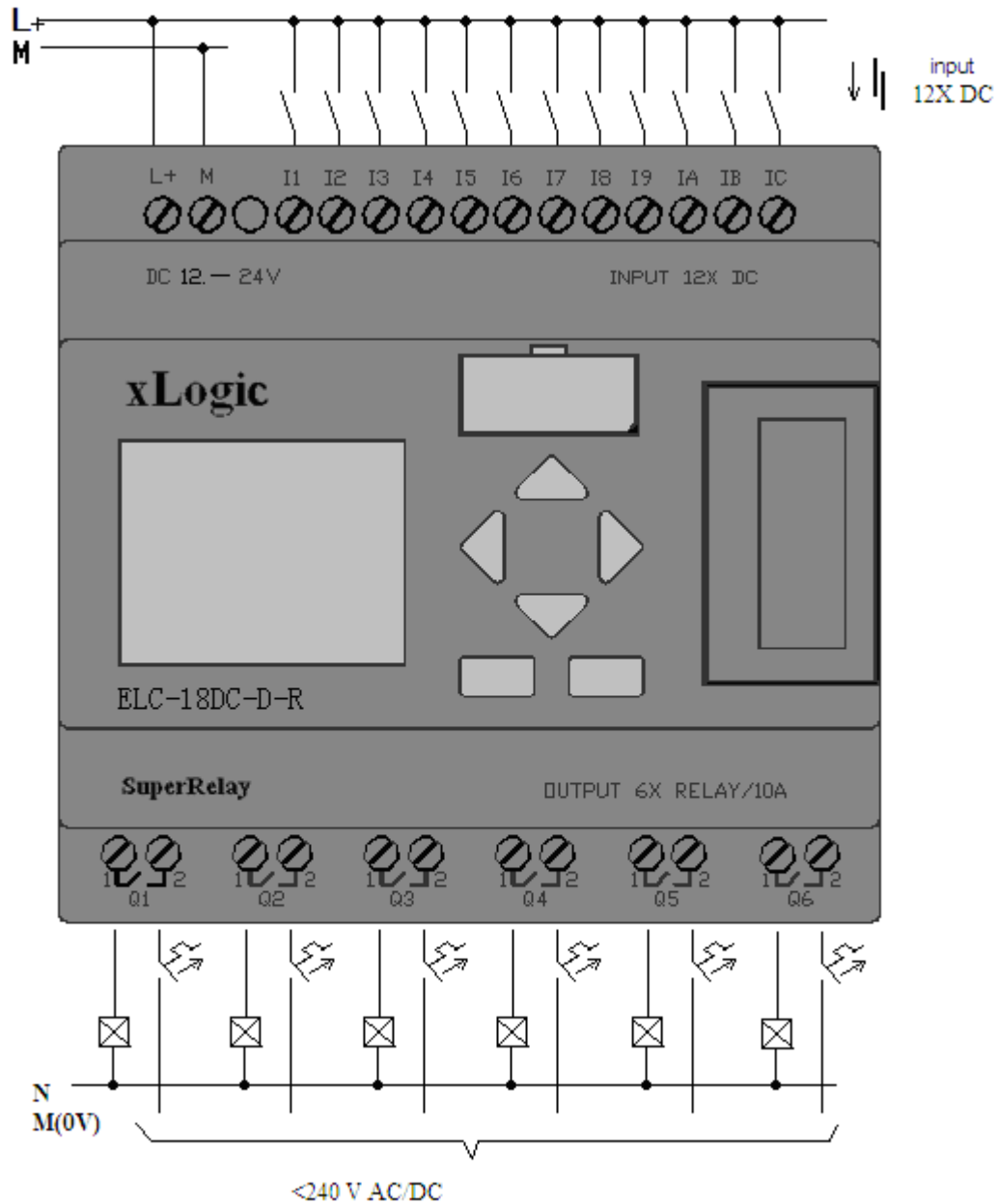
ELC-18DC-D-R(-E) & ELC-12DC-D-R

ELC-18 Modules and ELC-12 Modules

L+= 10...28V DC

I24V DC = 10...25mA

I1...I12= 1>8V DC; 1>1.5mA
0<3V DC; 0<1.0mA



ELC-18DC-DA-R(-E) & ELC-12DC-DA-R

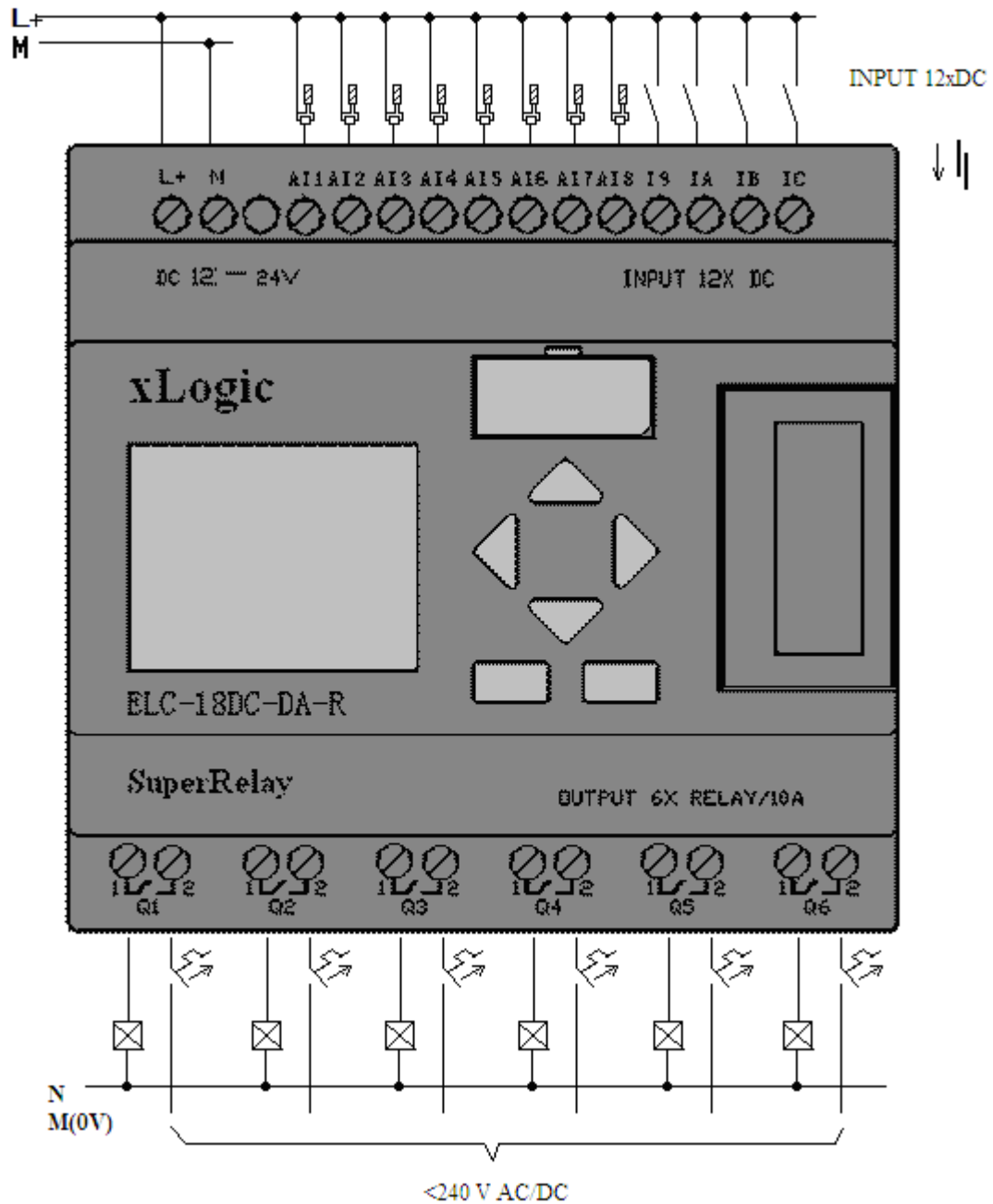
ELC-18 Modules and ELC-12 Modules

L+= 10...28V DC

I24V DC = 10...25mA

I1...I12= 1>8V DC; 1>1.5mA

0<3V DC; 0<1.0mA



ELC-18DC-D-TN(PNP)(-E) & ELC-12DC-D-TN(PNP)

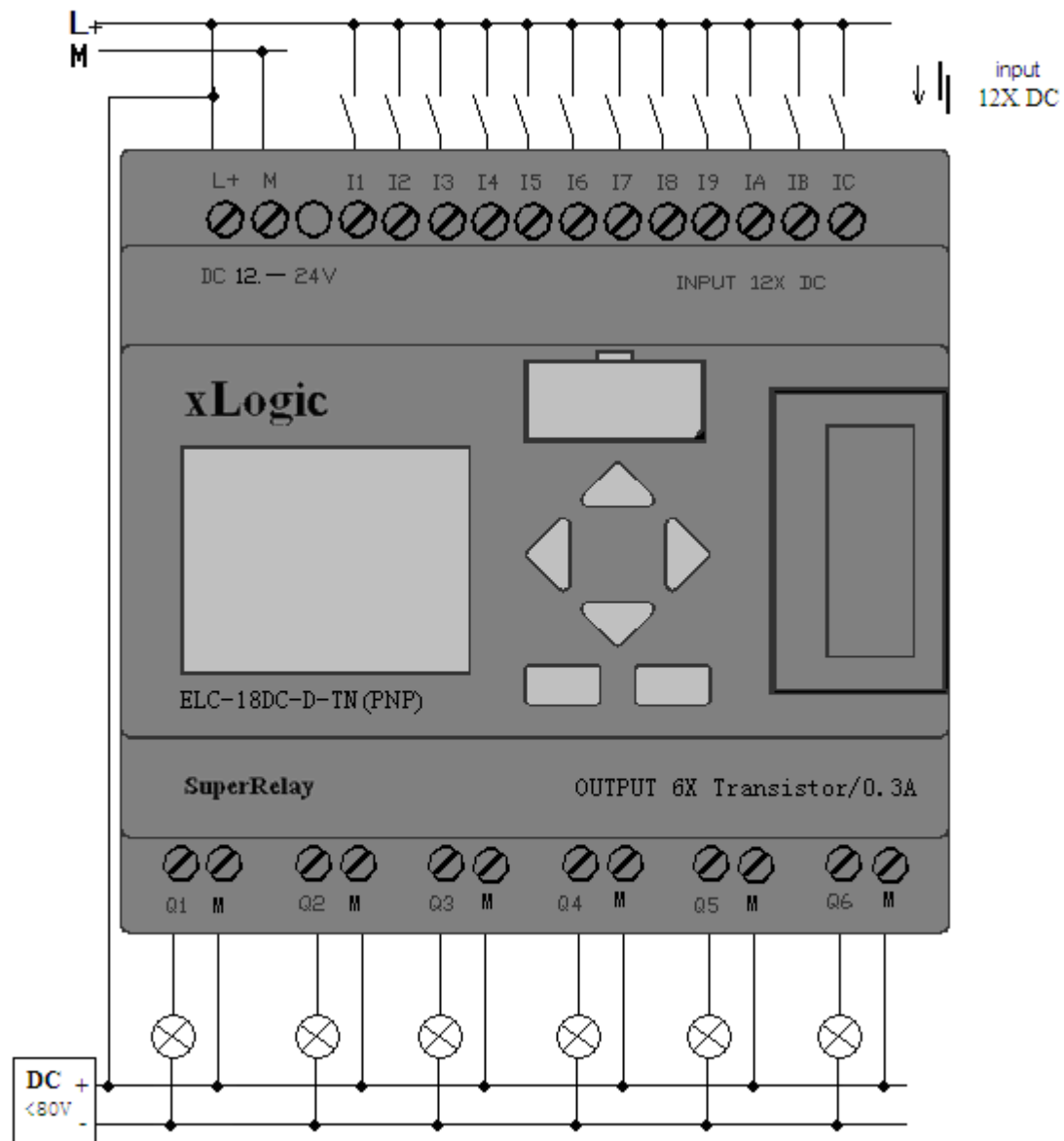
ELC-18 Modules and ELC-12 Modules

L+= 10...28V DC

I24V DC = 10...25mA

I1...I12= 1>8V DC; 1>1.5mA

0<3V DC; 0<1.0mA



ELC-18DC-DA-TN(PNP)(-E) & ELC-12DC-DA-TN(PNP)

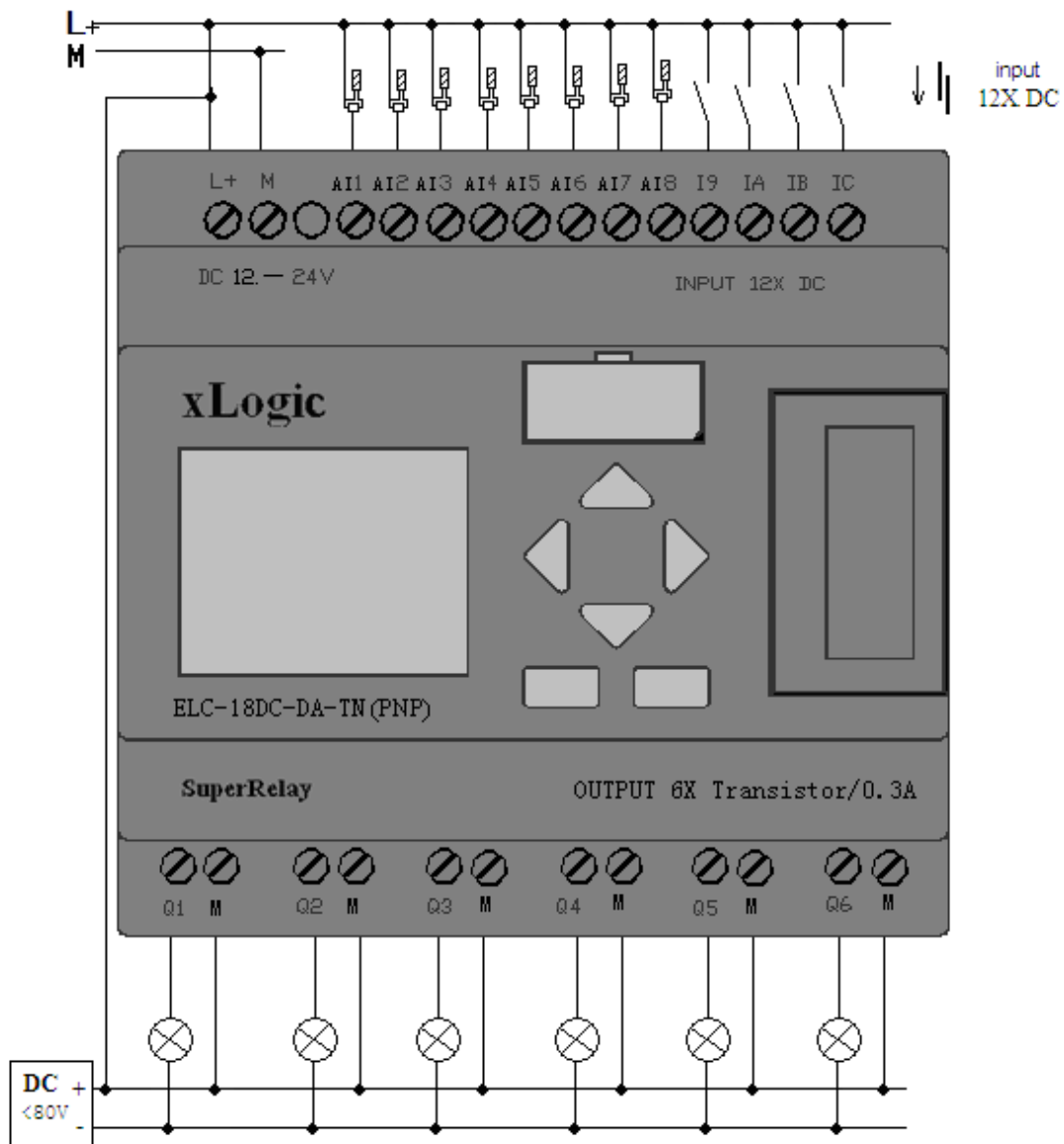
ELC-18 Modules and ELC-12 Modules

L+= 10...28V DC

I24V DC = 10...25mA

I1...I12= 1>8V DC; 1>1.5mA

0<3V DC; 0<1.0mA



ELC-18DC-D-TP(NPN)(-E) & ELC-12DC-D-TP(NPN)

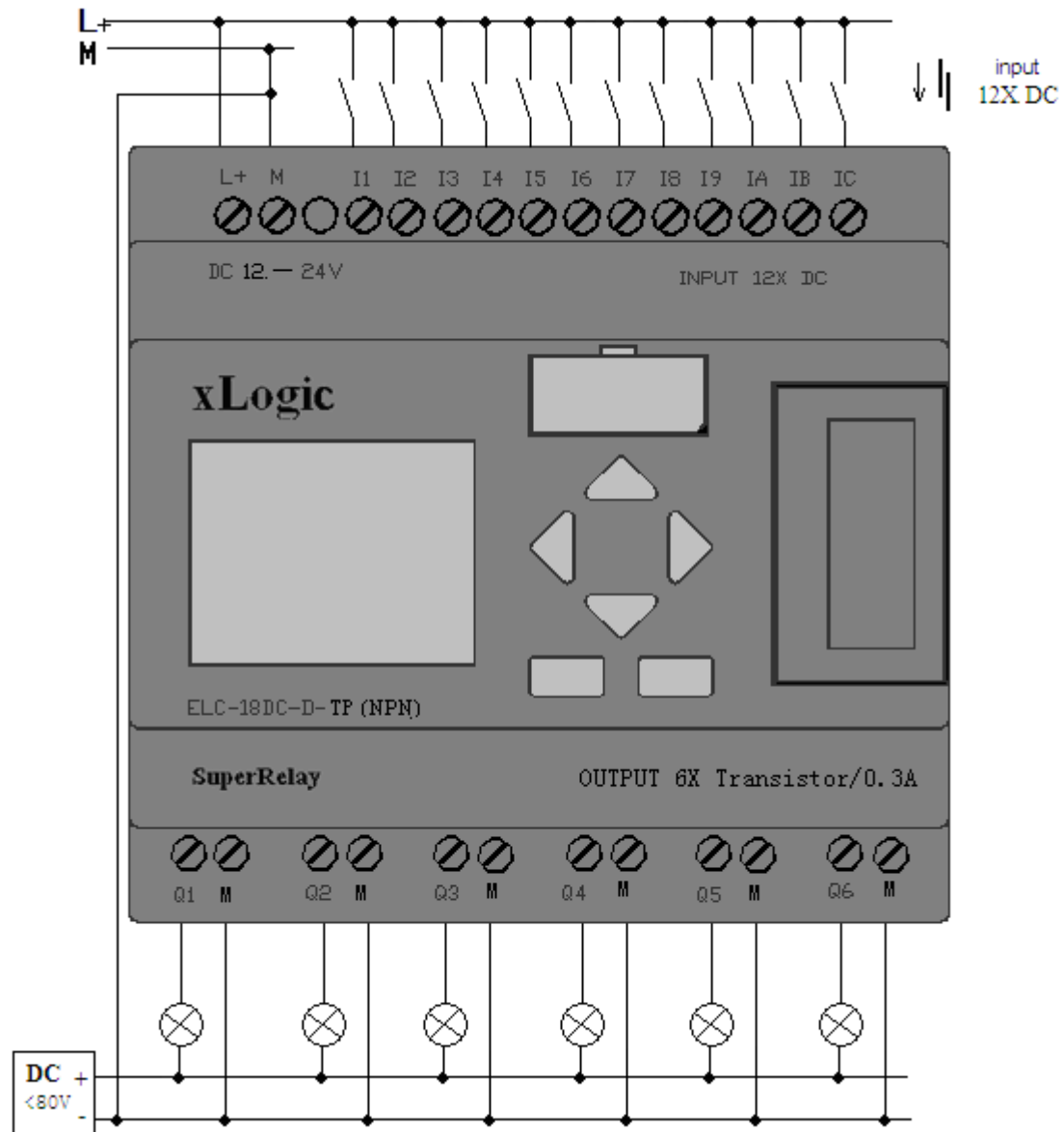
ELC-18 Modules and ELC-12 Modules

L+= 10...28V DC

I24V DC = 10...25mA

I1...I12= 1>8V DC; 1>1.5mA

0<3V DC; 0<1.0mA



ELC-18DC-DA-TP(NPN)(-E) & ELC-12DC-DA-TP(NPN)

ELC-18 Modules and ELC-12 Modules

L+= 10...28V DC

I24V DC = 10...25mA

I1...I12= 1>8V DC; 1>1.5mA

0<3V DC; 0<1.0mA

